

Pro Cart Assembly Guide



Hardware

(A) Handle Grip	x1
(B) Steering Bearing	x1
(C) 1/2" Steering Bolt	x1
(D) 1/2" Steering Washer	x1
(E) 1/2" Steering Locknut	x1
(F) Clevis Pin/Cotter Pin	x1
(G) 5/8" Wheel Locknut	x2
(H) 5/8" Wheel Bolt	x4
(I) 8"x2.5 Wheel	x4
(J) Locking Plugs	x27
(K) 5/16" Mounting Bolt	x42
(L) 5/16" Mounting Nut	x42
(M) Wheel Washer	x4
(N) Wheel Caps	x4
(O) Bungee Cord	x1

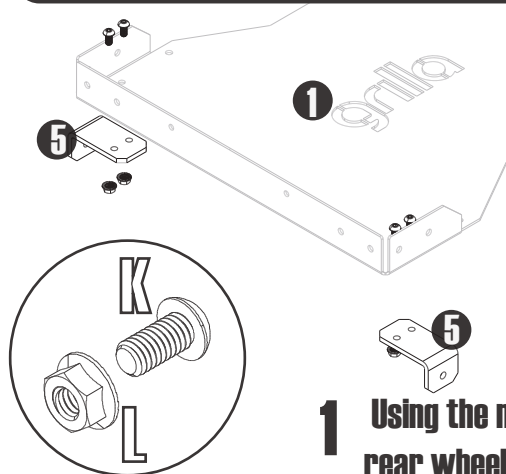
Included

(0) Handle	x1
(1) Frame base	x1
(2) Steering Assembly	x1
(3) Top Frame Short	x2
(4) Top Frame Long	x2
(5) Rear Wheel Bracket	x2
(6) Frame Stiffener	x2
(7) Cart Legs	x4
(8) Cover Panels	x8

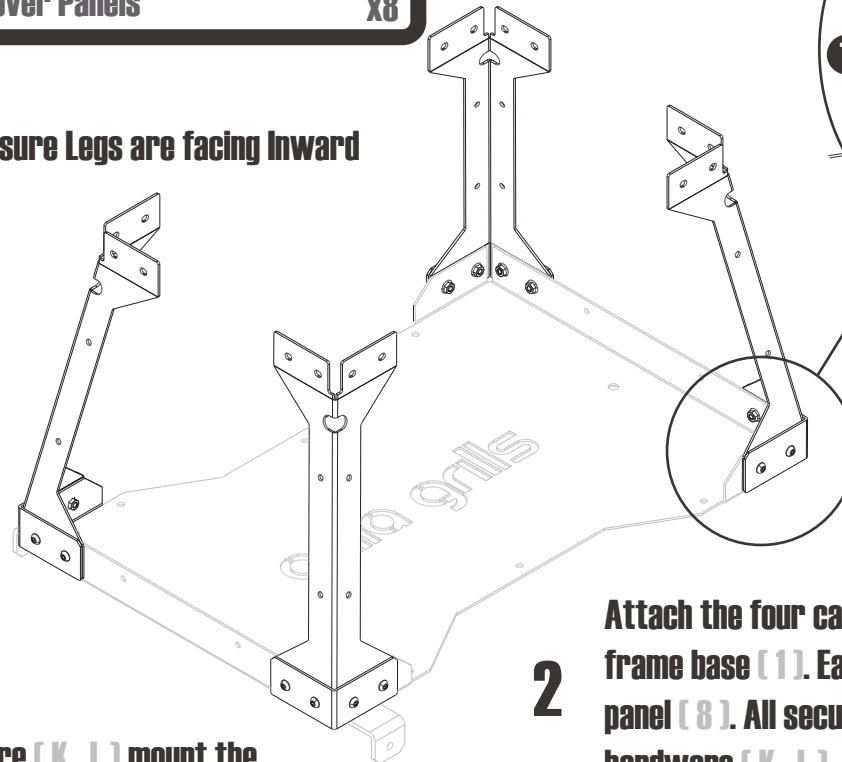
Tools Needed

- 5/16", 1/2", 1" Open ended Wrench or an Adjustable Crescent Wrench of size.
- **-IMPORTANT-** Your 4 Existing Silverbac Cart screws

***Make sure Legs are facing Inward**

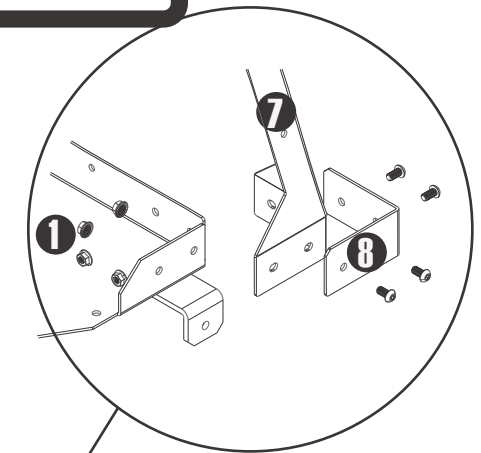


1 Using the mounting hardware (K, L) mount the rear wheel brackets (5) to the base (1).



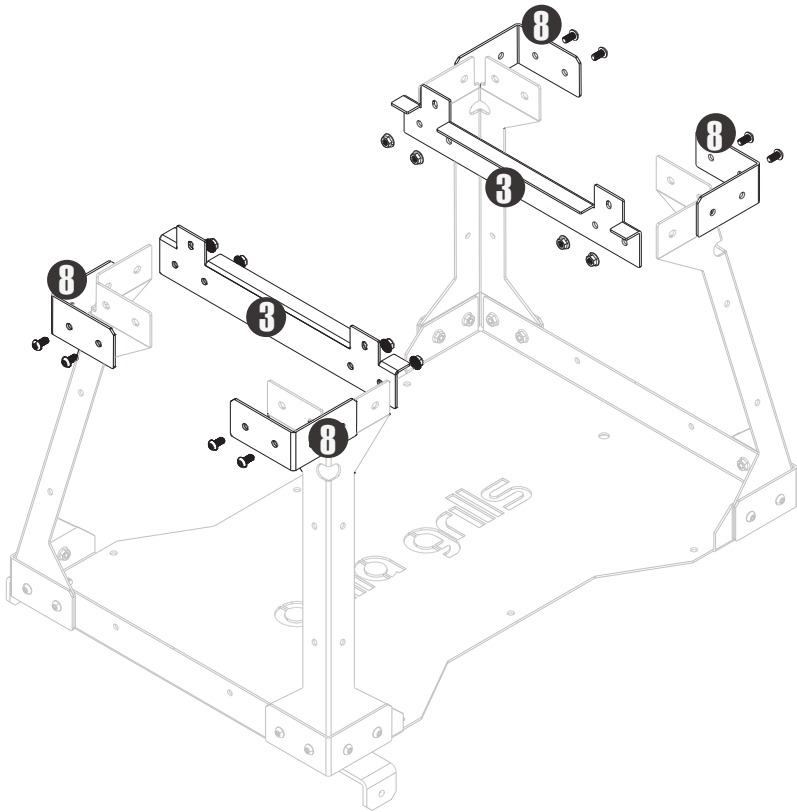
2

Attach the four cart legs (7) to the frame base (1). Each leg gets a cover panel (8). All secured with mounting hardware (K, L).

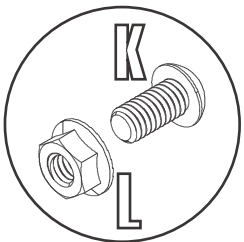


1

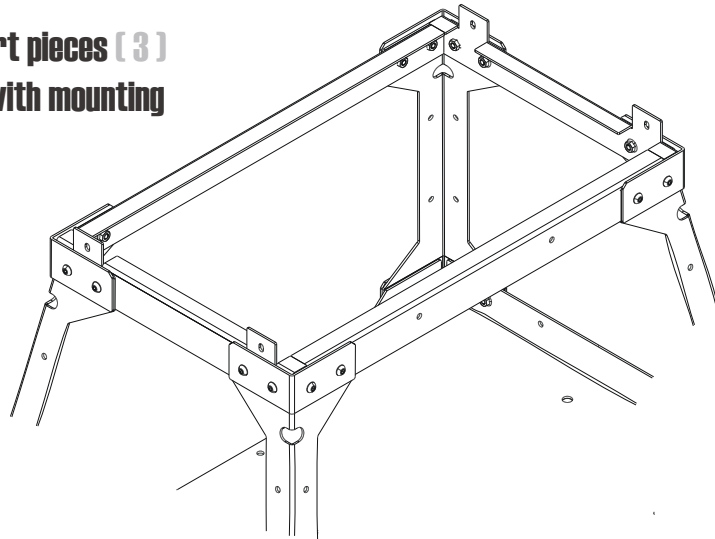
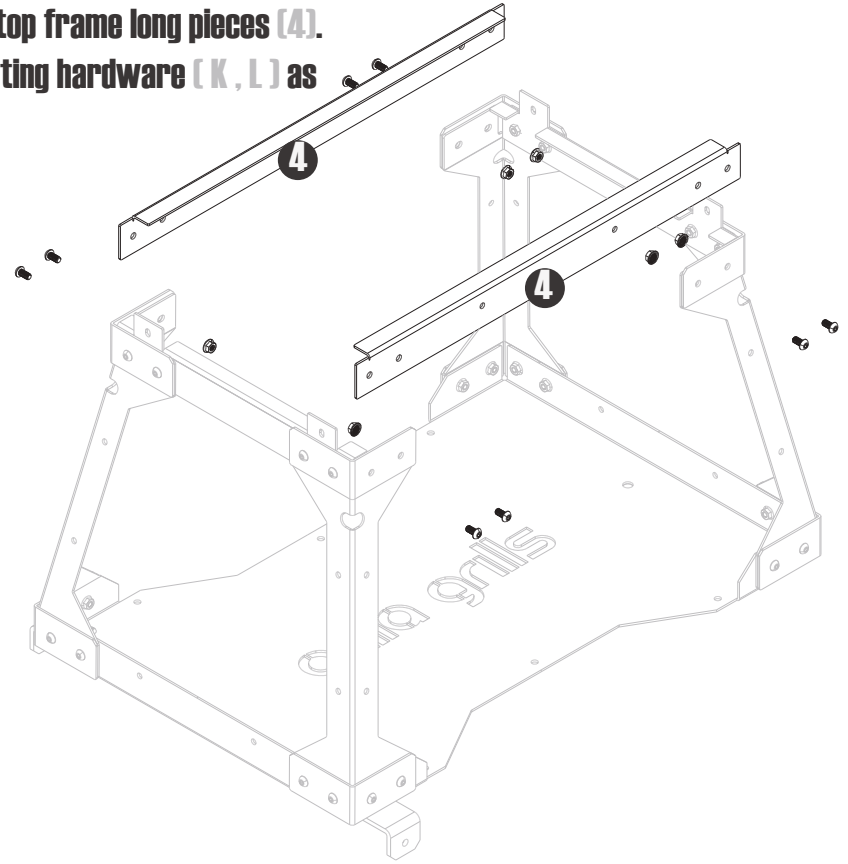
Pro Cart Assembly Guide



3 Next loose fit both top frame short pieces [3] and remaining cover panels [8] with mounting hardware [K , L].

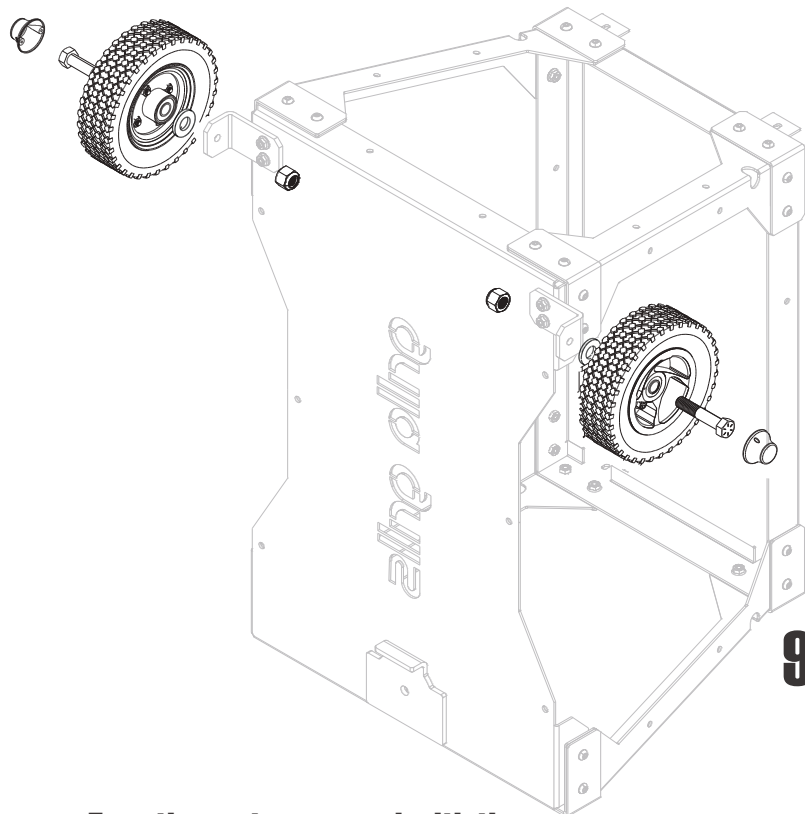


4 Now Slide in both top frame long pieces [4]. Secure with mounting hardware [K , L] as well.

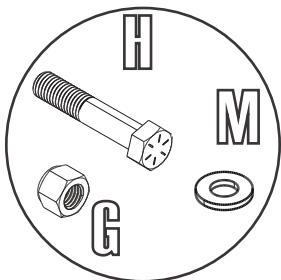


5 Tighten up all mounting hardware [K , L] after both short & long frame pieces [3 , 4] have been installed.

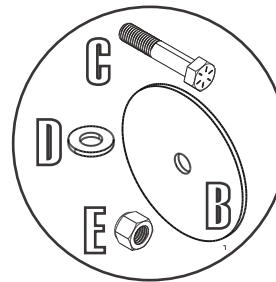
Pro Cart Assembly Guide



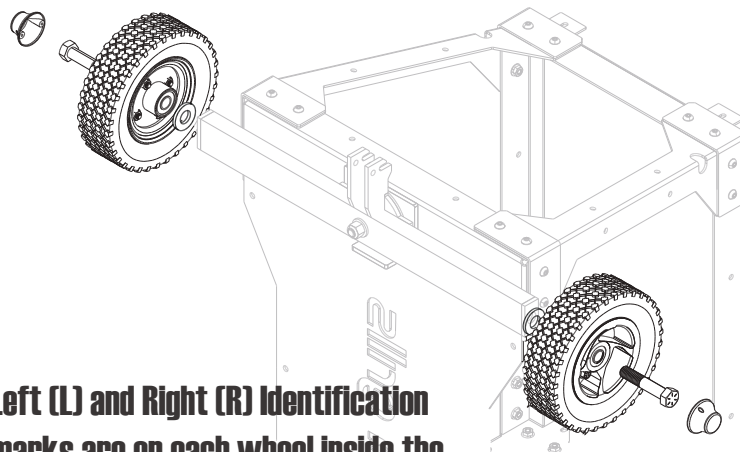
6 Turn the cart on one end with the rear wheel bracket (5) facing up. Mount the two 8" wheels (1) with 5/8" wheel bolts (H) and locknut (G) and Wheel washer (M).



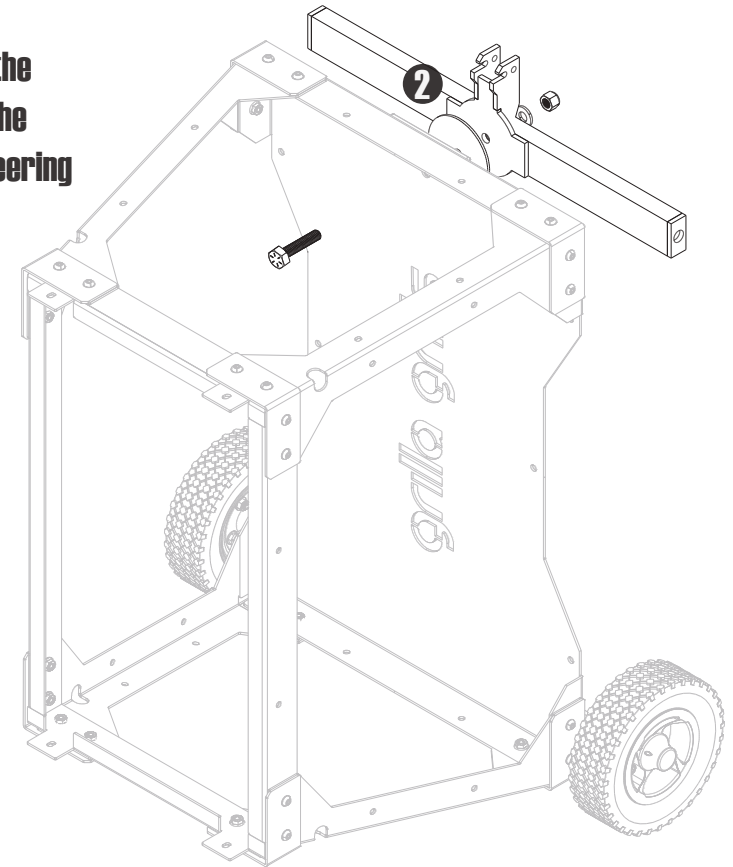
7 On the opposite end install the steering assembly (2) to the frame base (1). Use the steering hardware (B, C, D, E).



9 Once wheels are in place install wheel caps (N).



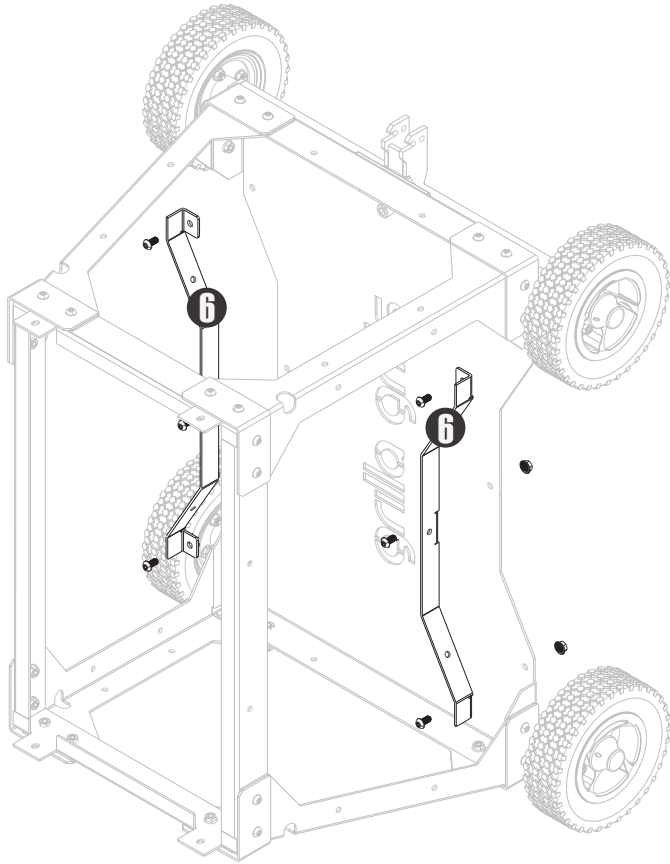
Left (L) and Right (R) Identification marks are on each wheel inside the rim.



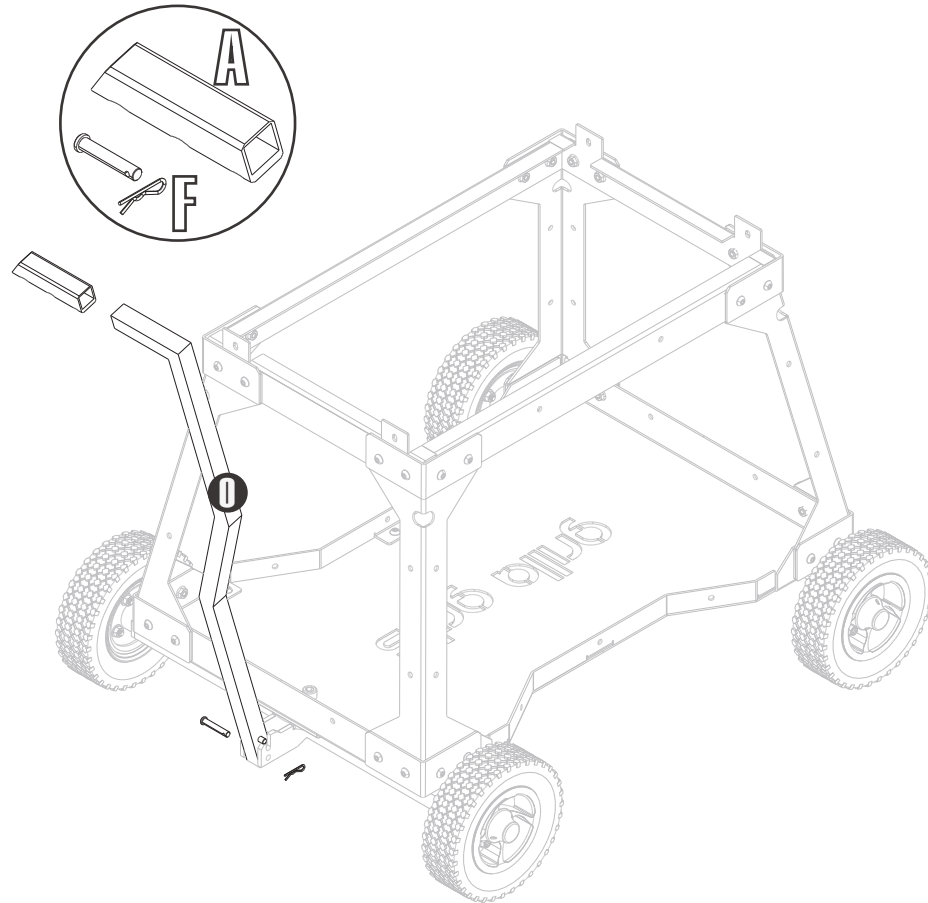
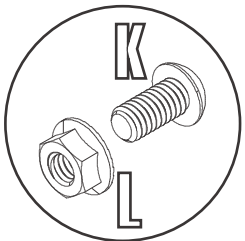
8 With the steering assembly (1) on, mount the two remaining 8" wheels (1) with the remaining 5/8" wheel bolts (H) thread onto Steering Assembly (1). Placing the supplied wheel washers (M) after the wheel.

3

Pro Cart Assembly Guide

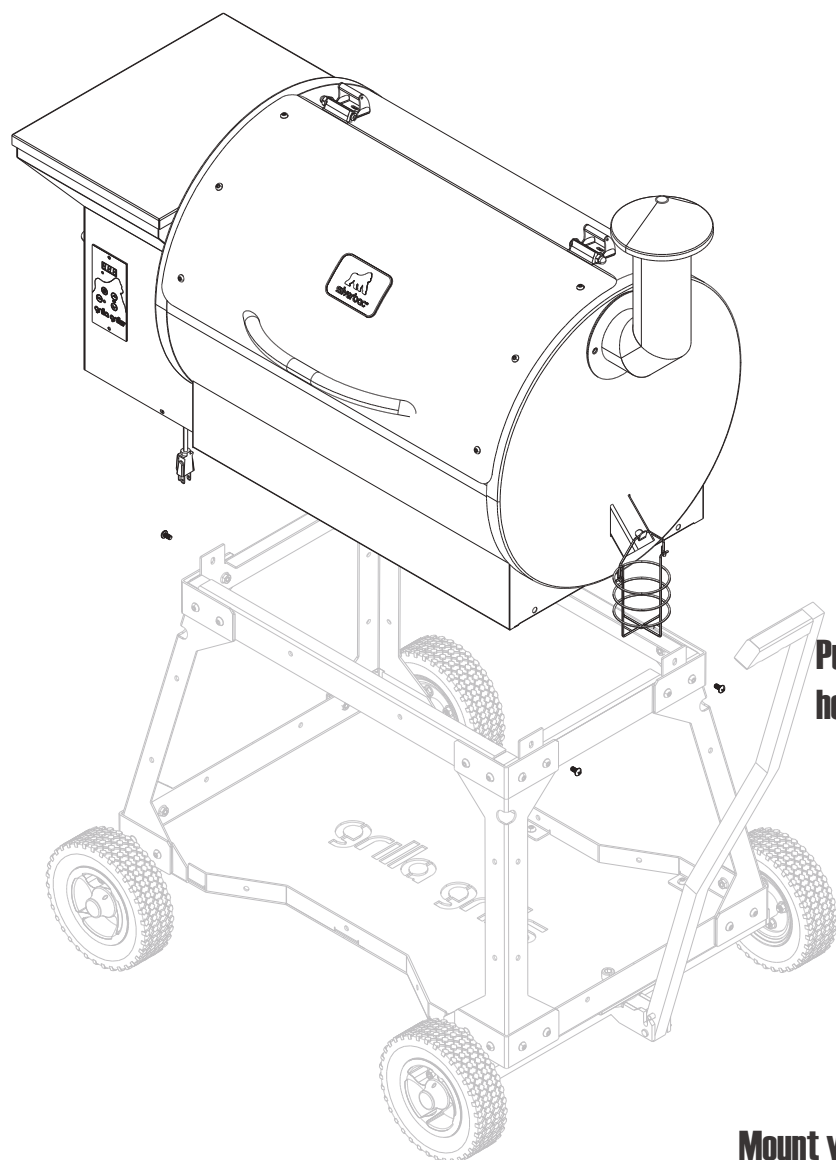


9 Mount the frame stiffeners (6) to the frame base (1) with the mounting hardware (K , L).

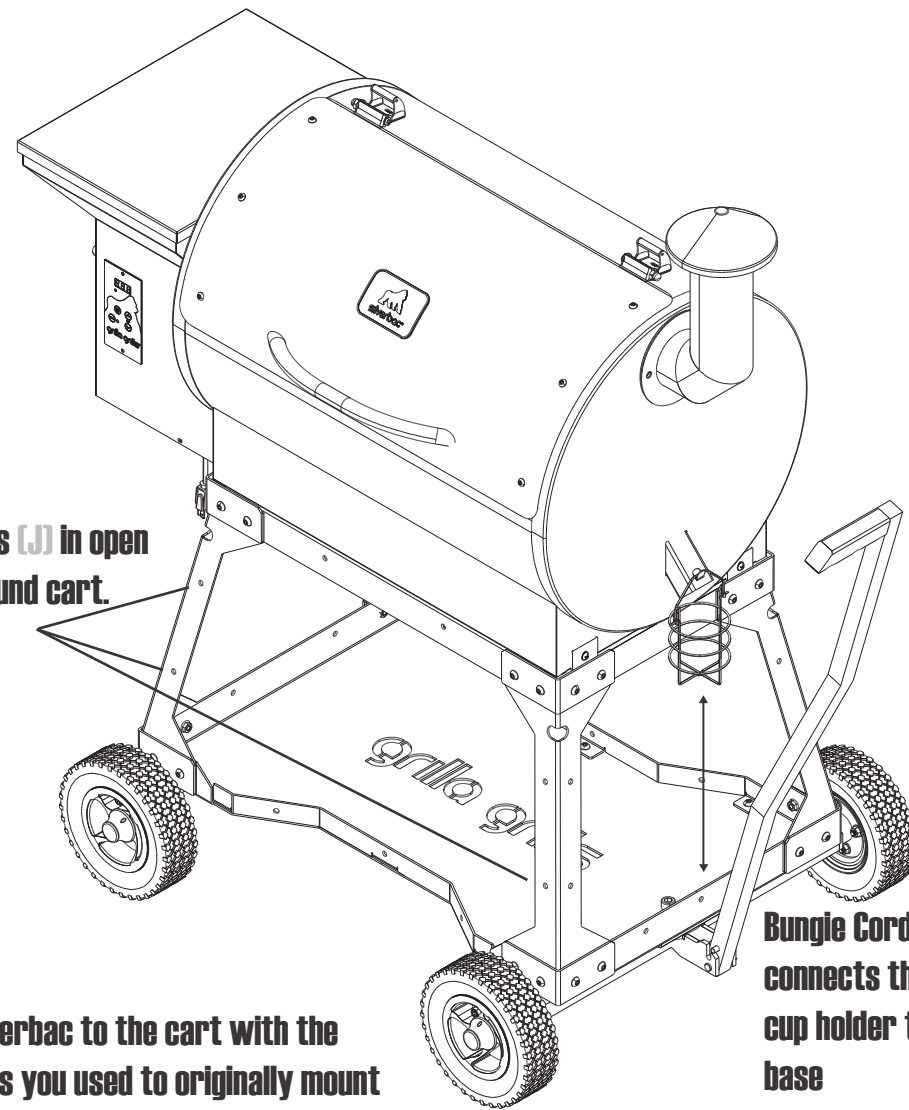


10 Attach the handle grip (A) to the handle (O) and secure with the clevis/cotter pins (F). Make sure to install the handle (O) in the upright position.

Pro Cart Assembly Guide



Push plugs (J) in open holes around cart.



Bungee Cord (O) connects the grease cup holder to frame base

11

Mount your silverbac to the cart with the existing screws you used to originally mount your grill to the stock silverbac cart.

5