

KAMADO CART ASSEMBLY



HARDWARE

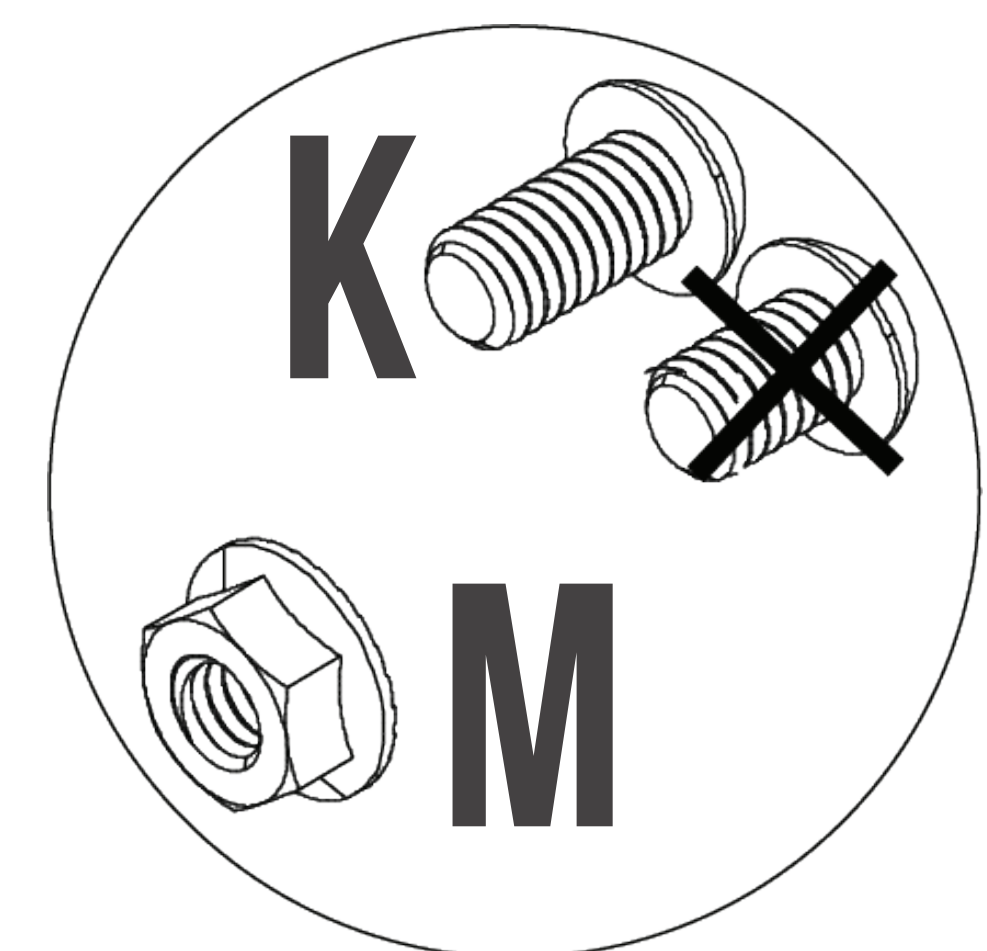
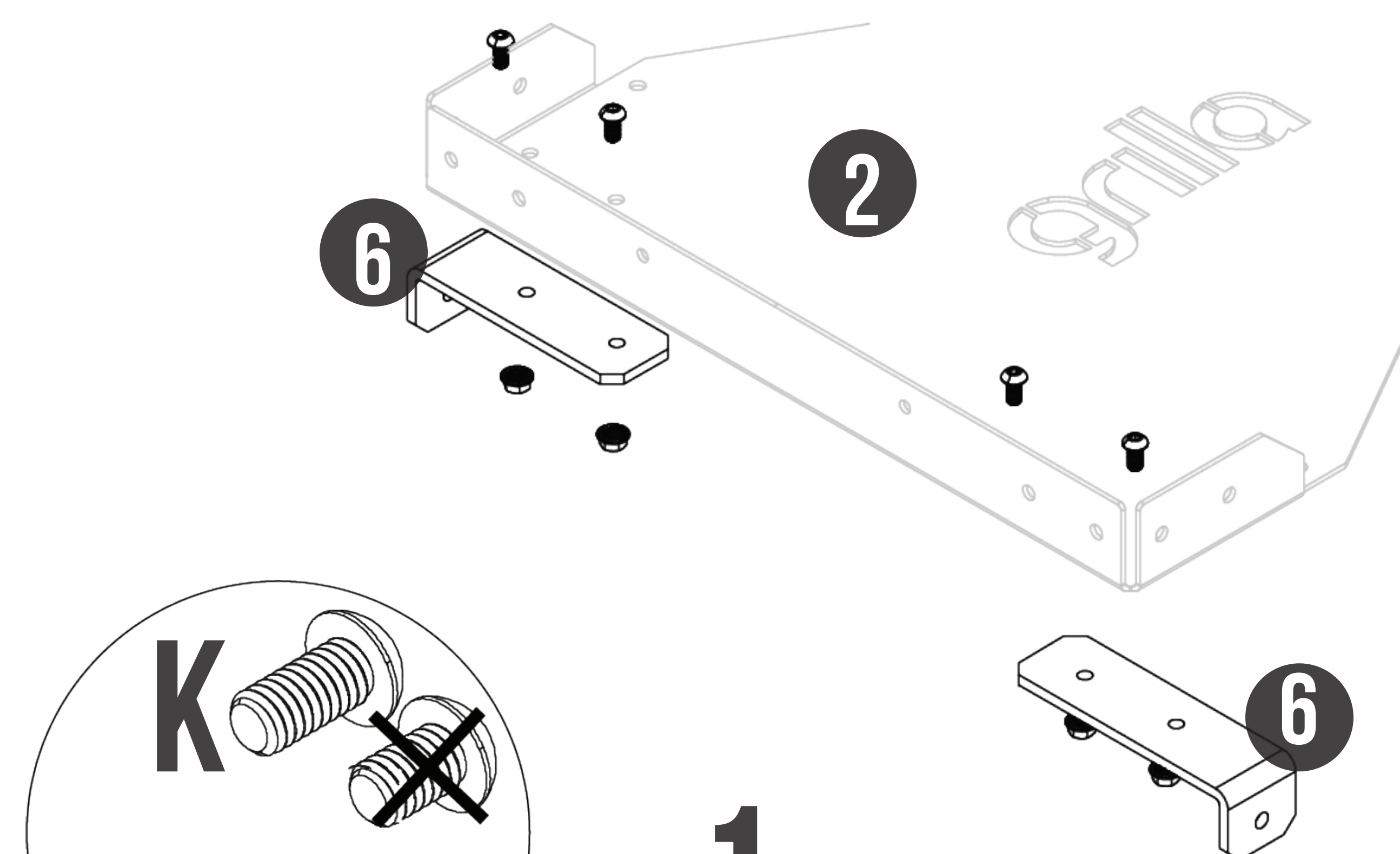
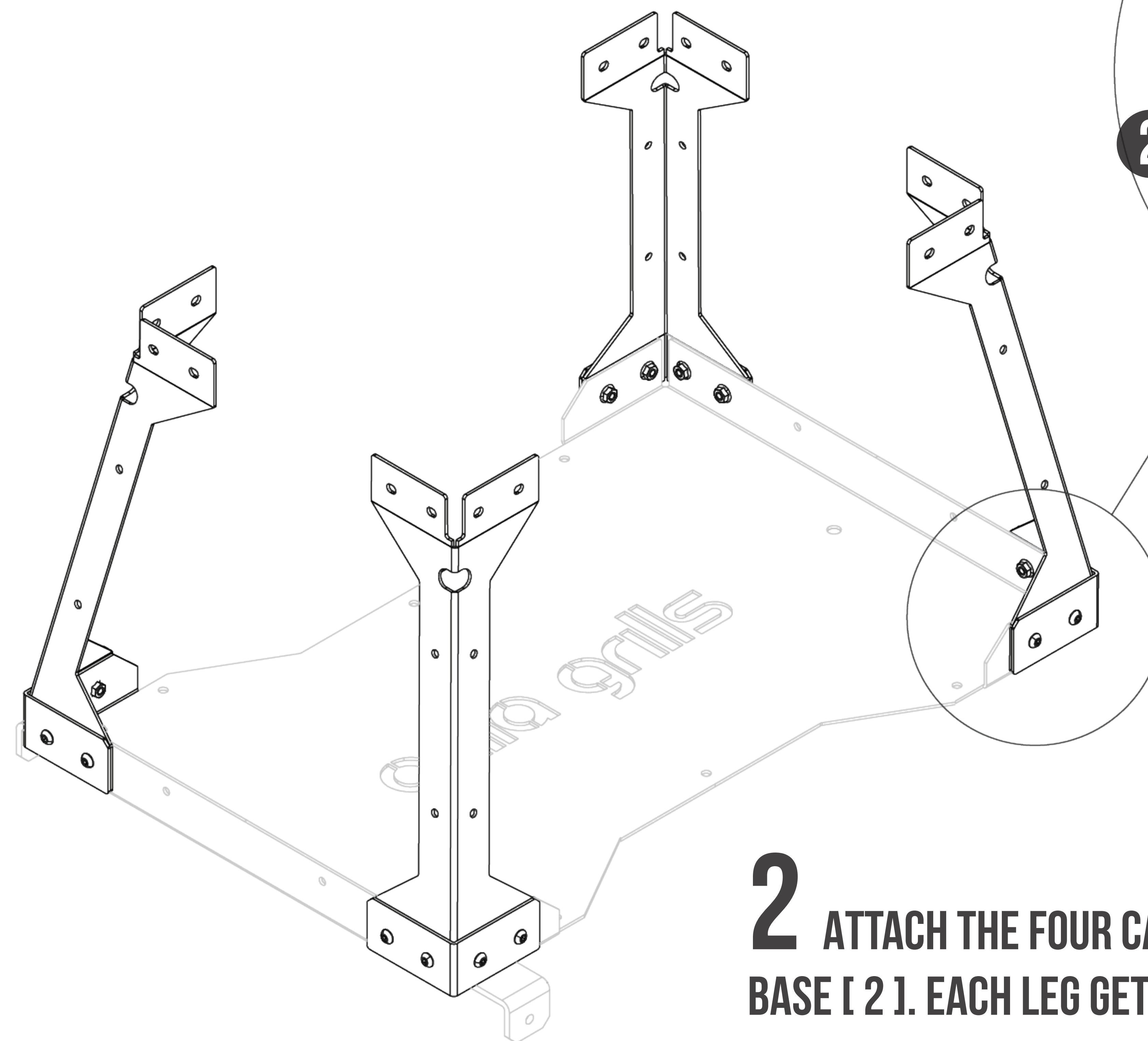
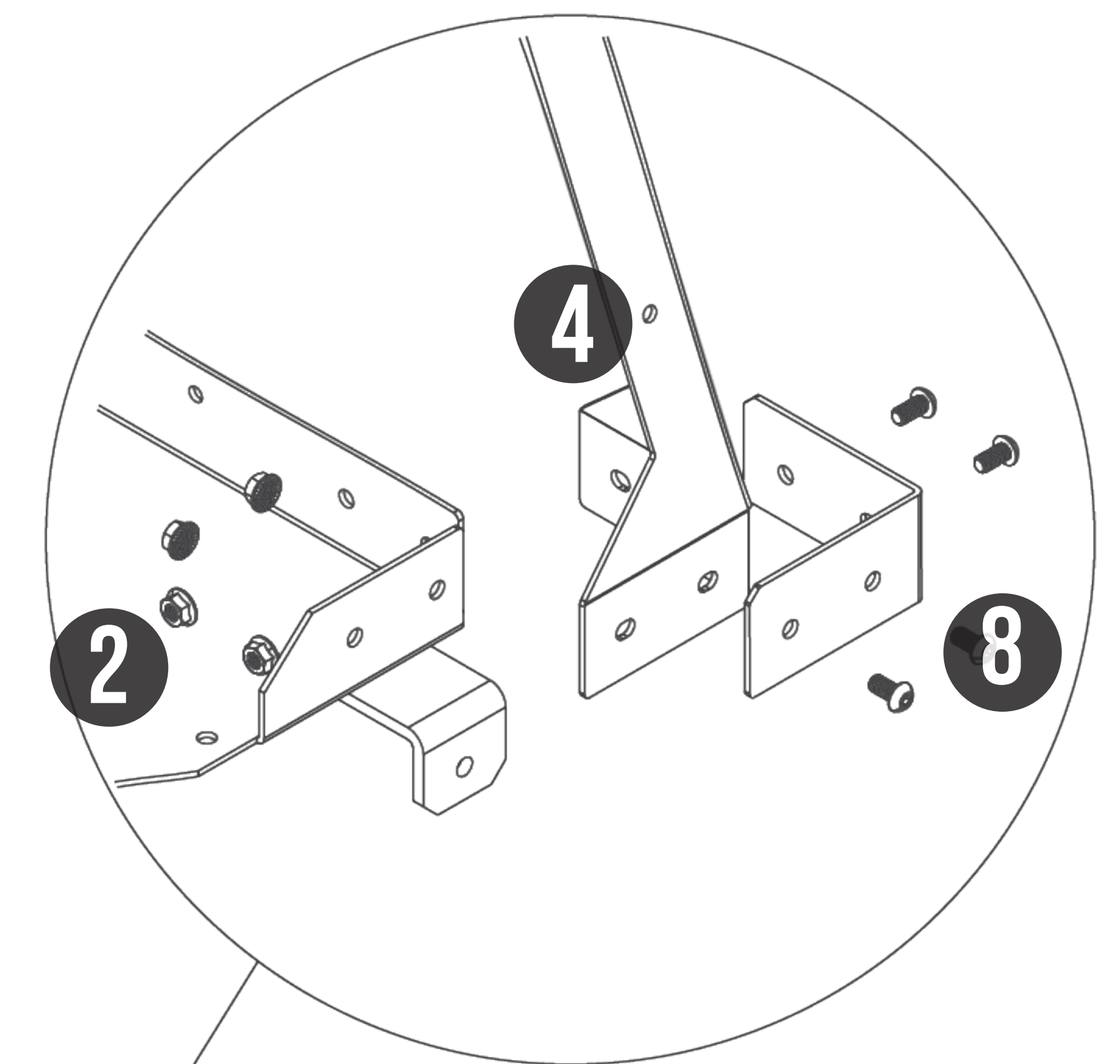
[A]	HANDLE GRIP	X1
[B]	STEERING BEARING	X1
[C]	1/2" STEERING BOLT	X1
[D]	1/2" STEERING WASHER	X1
[E]	1/2" STEERING LOCKNUT	X1
[F]	HANDLE SHOULDER BOLT	X1
[G]	5/8" WHEEL LOCKNUT	X2
[H]	5/8" WHEEL BOLT	X4
[I]	8"X2.5" WHEEL	X4
[J]	LOCKING PLUGS	X27
[K]	5/16" MOUNTING BOLT LONG	X44
[L]	5/16" MOUNTING BOLT SHORT	X6
[M]	5/16" MOUNTING NUT	X50
[N]	WHEEL WASHER	X4
[O]	WHEEL CAPS	X4
[P]	BLACK STRAPPING	X3
[Q]	HANDLE WASHER	X2
[R]	HANDLE NUT	X1

PARTS

[1]	HANDLE	X1
[2]	FRAME BASE	X1
[3]	STEERING ASSEMBLY	X1
[4]	CART LEGS	X4
[5]	CART TOP	X1
[6]	REAR WHEEL BRACKET	X2
[7]	FRAME STIFFENERS	X2
[8]	COVER PANELS	X4
[9]	UPPER/LOWER TRAY RESTS	X4

TOOLS NEEDED

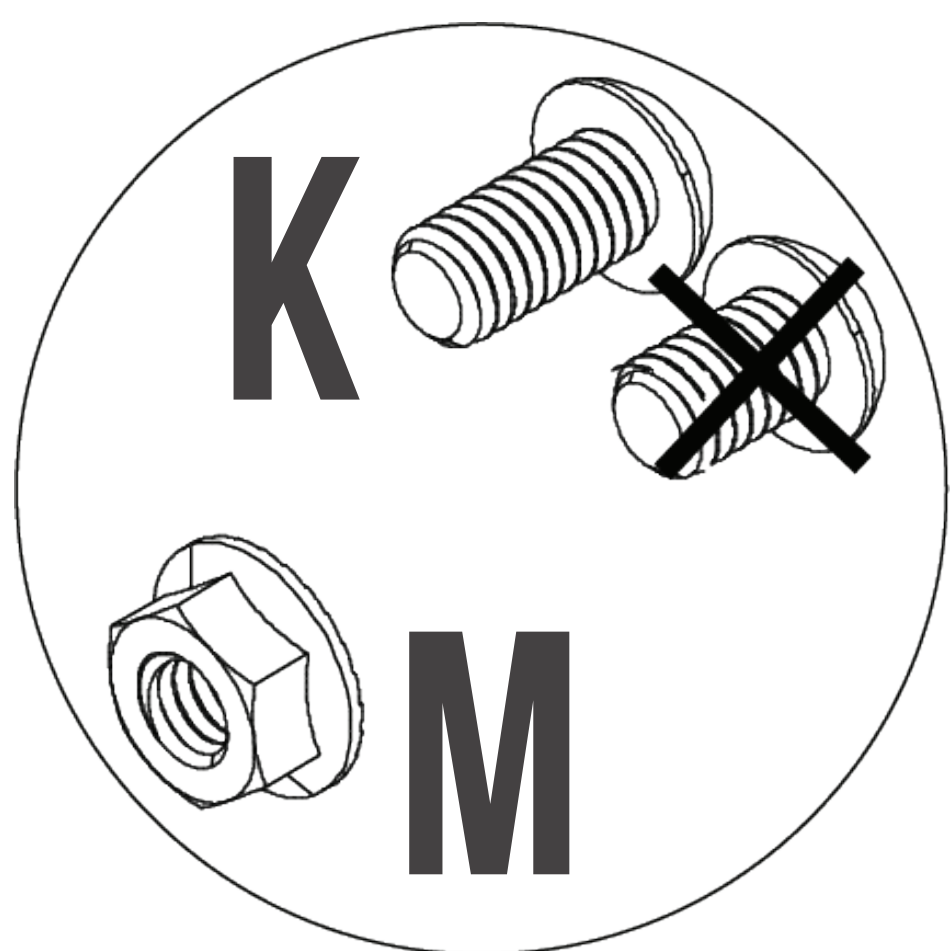
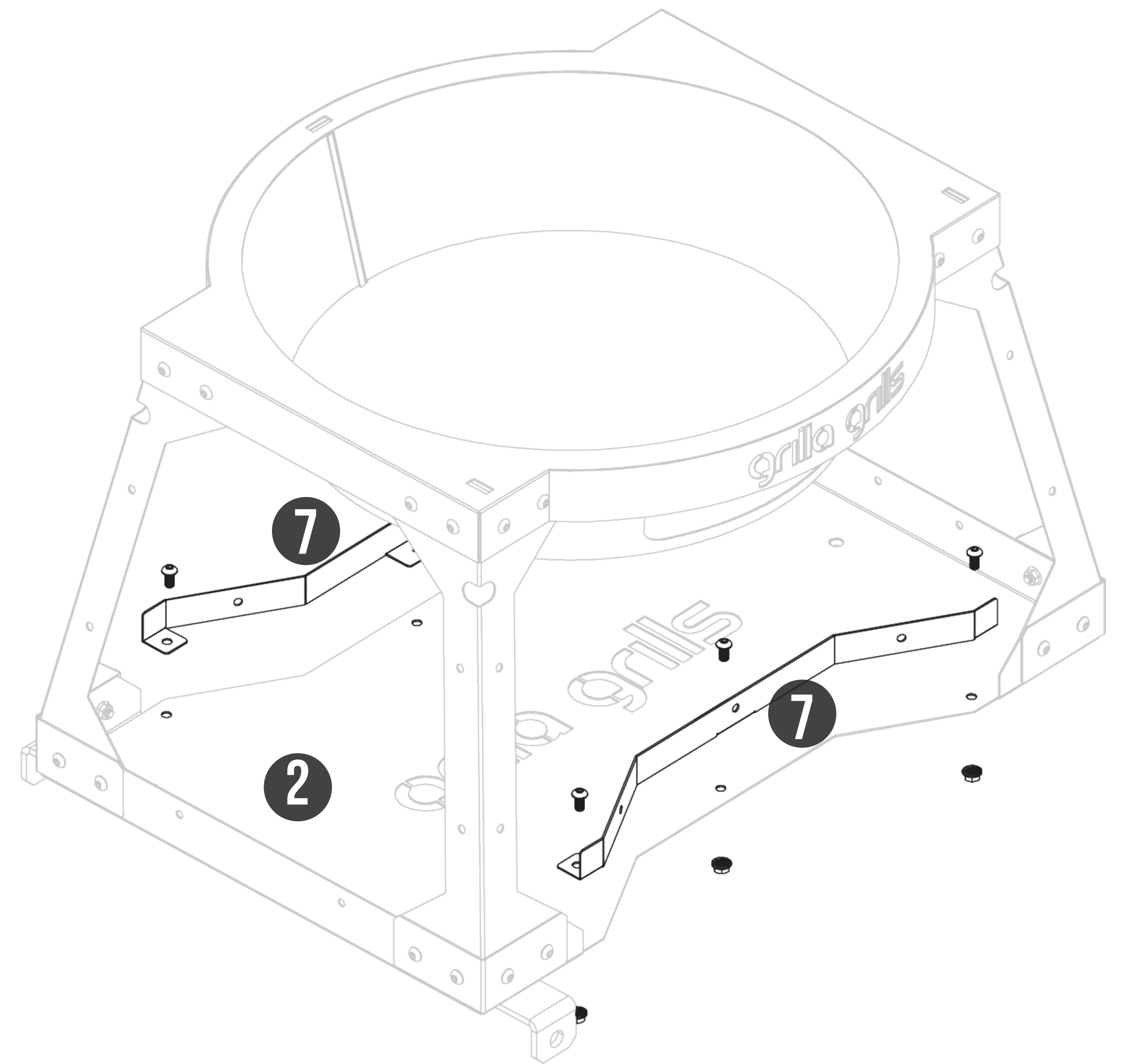
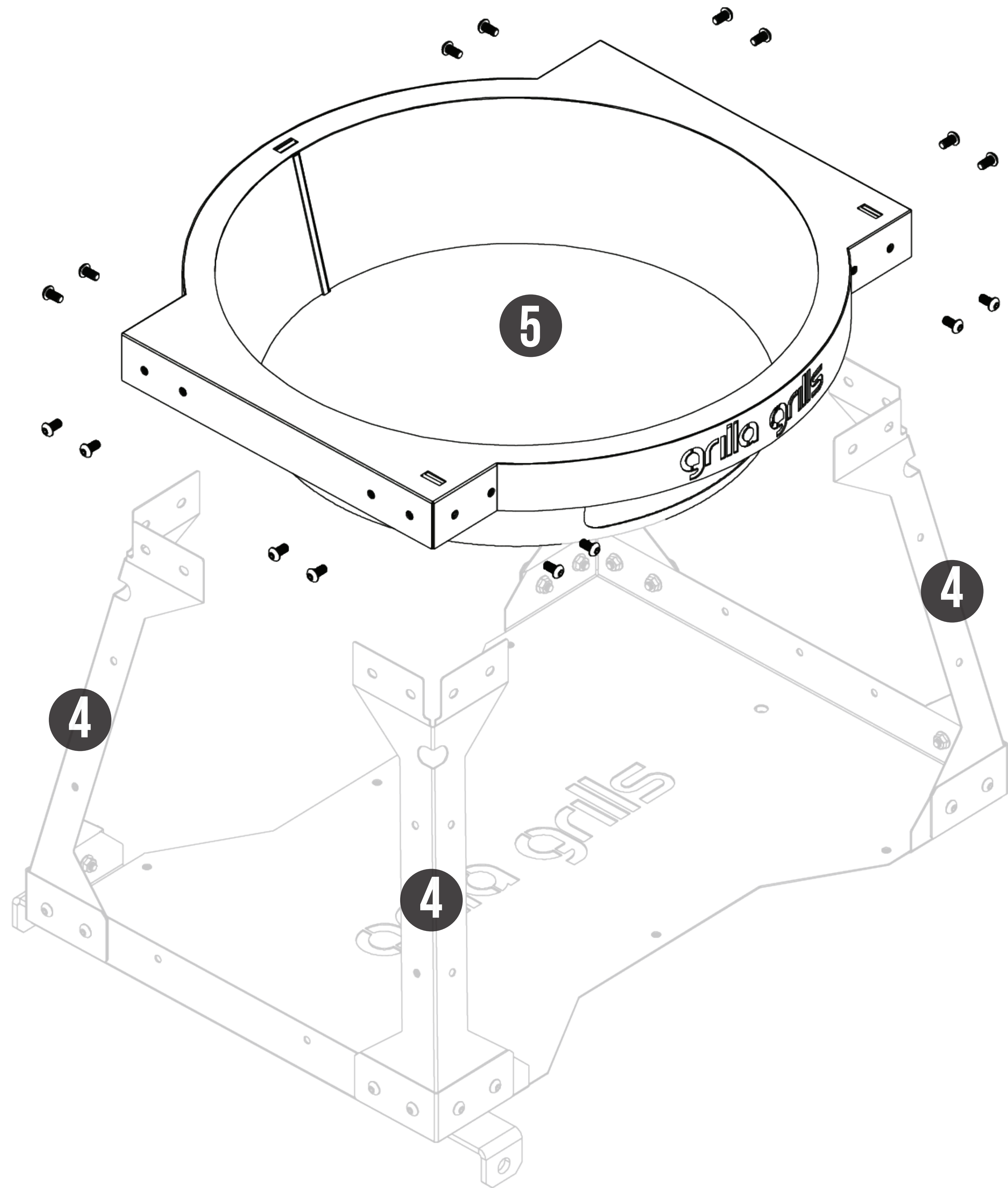
- 5/16", 1/2", 1" OPEN ENDED WRENCH
OR AN ADJUSTABLE CRESENT WRENCH OF SIZE
- ALLEN WRENCH
- SMALL PHILLIPS HEAD SCREW DRIVER



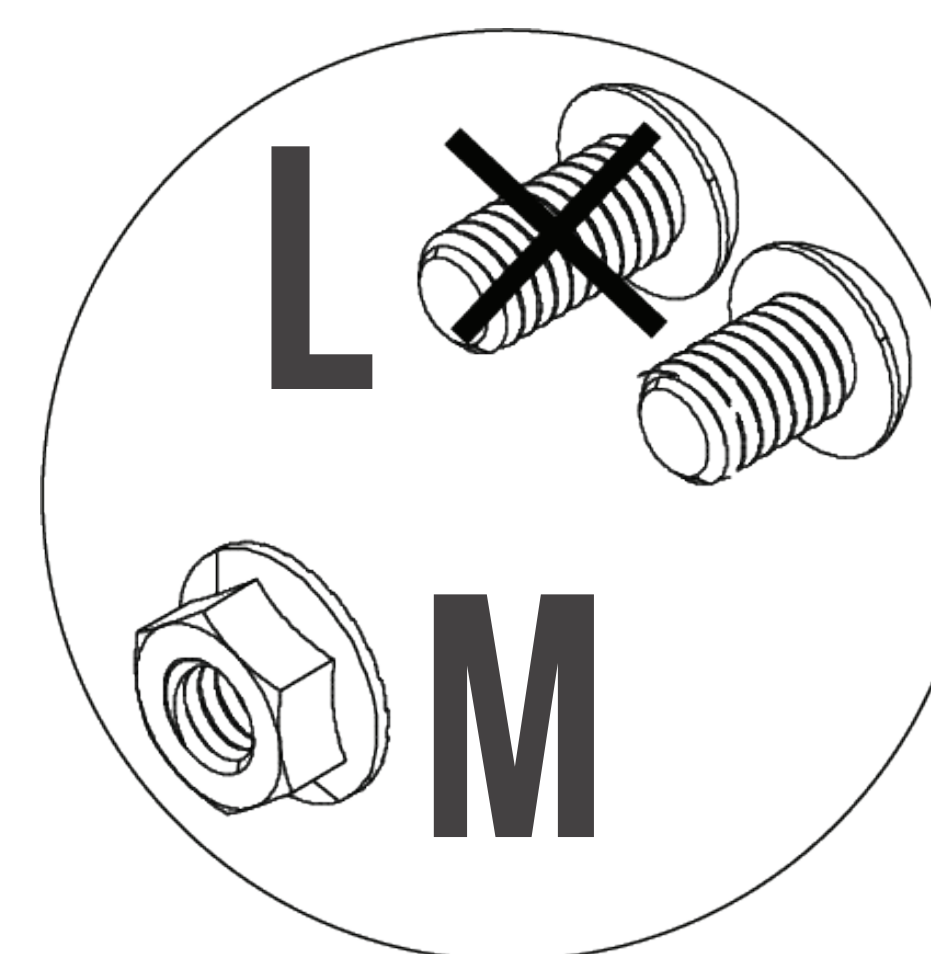
1 USING THE LONG MOUNTING HARDWARE [K , M] MOUNT THE REAR WHEEL BRACKETS [6] TO THE BASE [2].

2 ATTACH THE FOUR CART LEGS [4] TO THE FRAME BASE [2]. EACH LEG GETS A COVER PANEL [8]. SECURE WITH LONG MOUNTING HARDWARE [K , M].

KAMADO CART ASSEMBLY

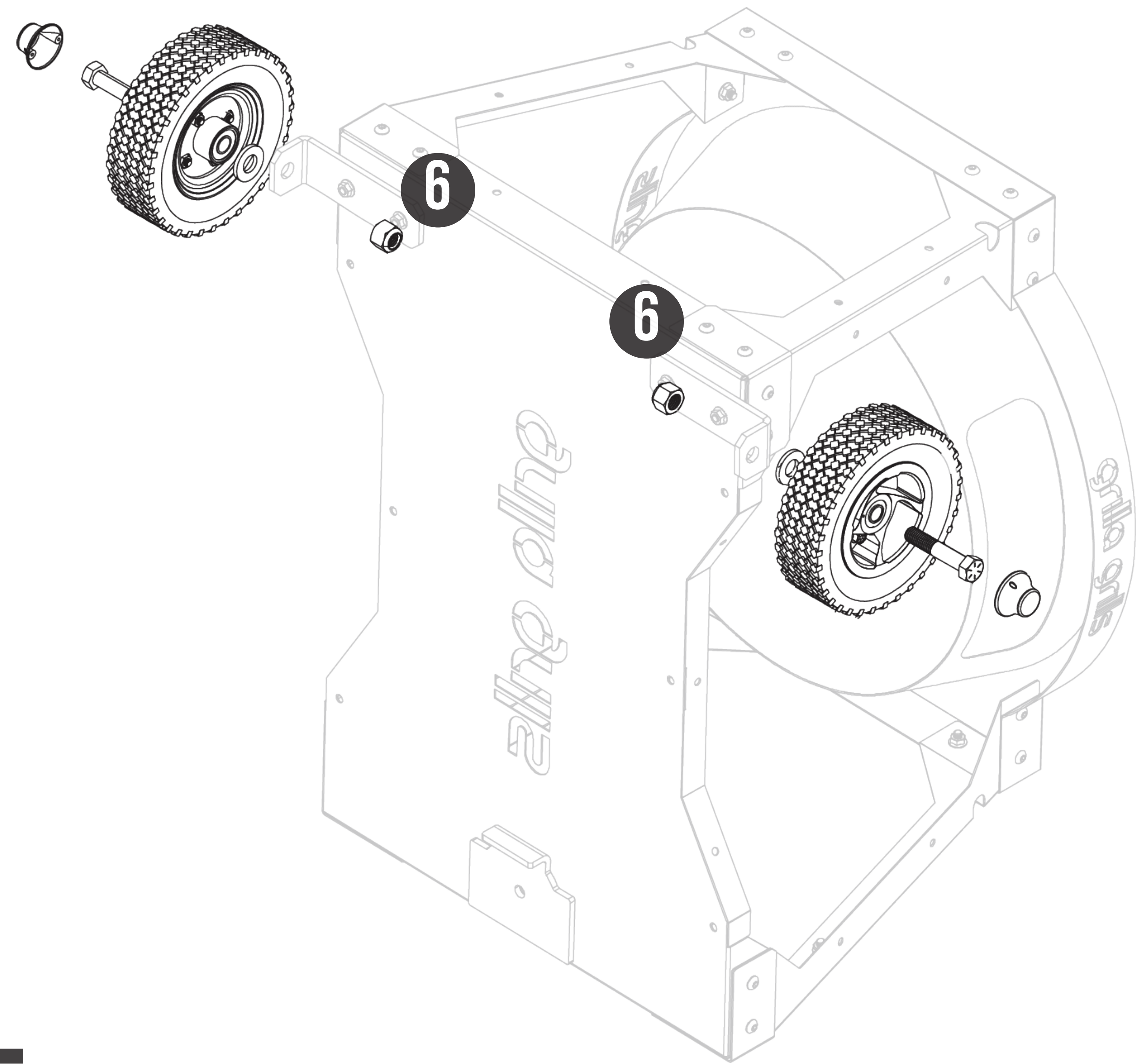


3 SET CART TOP [5] ON CART LEGS [4], SECURE WITH LONG MOUNTING HARDWARE [K , M].

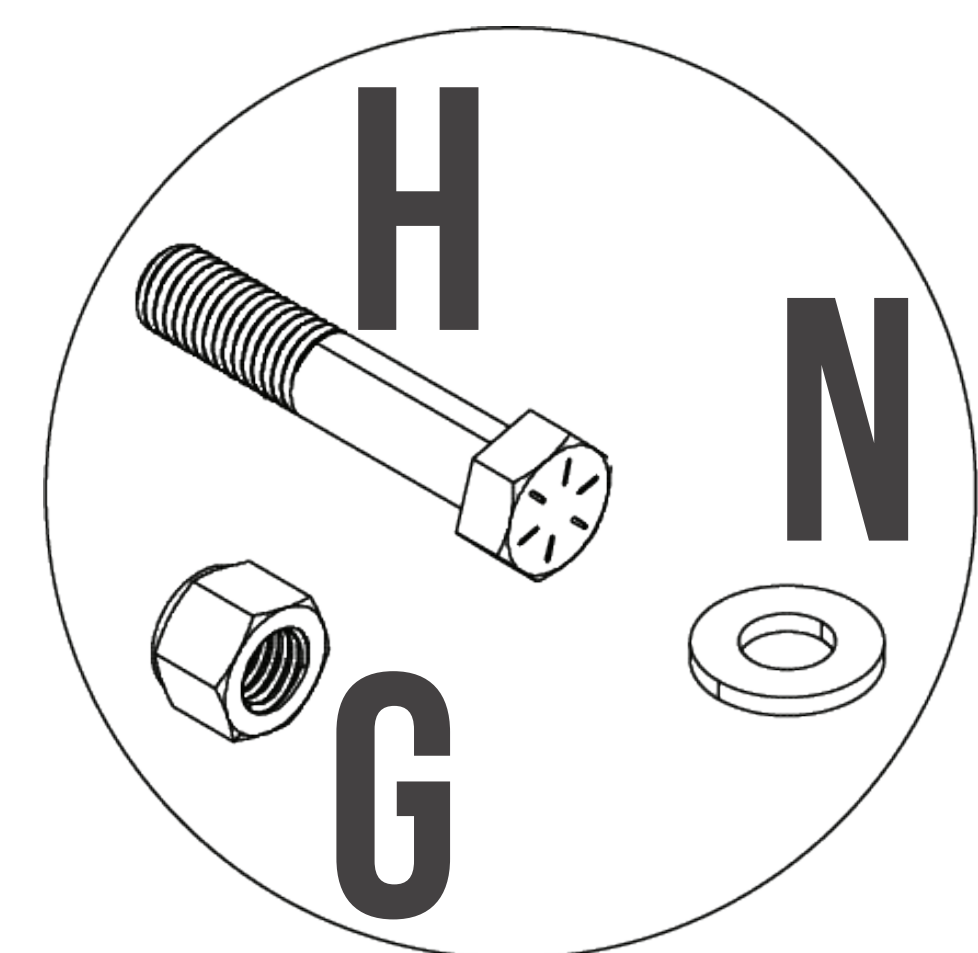


4 ATTACH FRAME STIFFENERS [7] TO CART BASE [2].
USE SHORT MOUNTING HARDWARE [L , M].

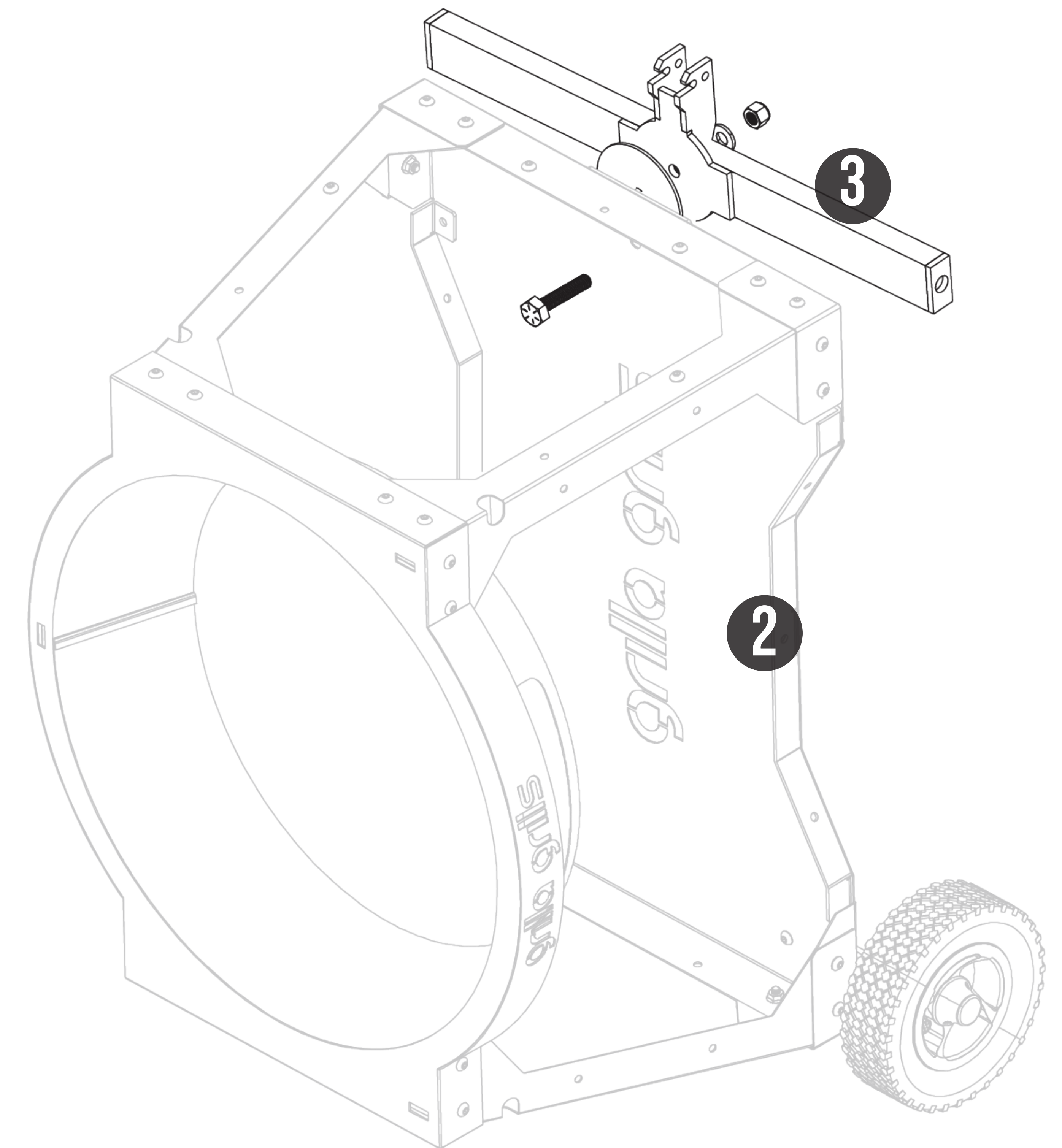
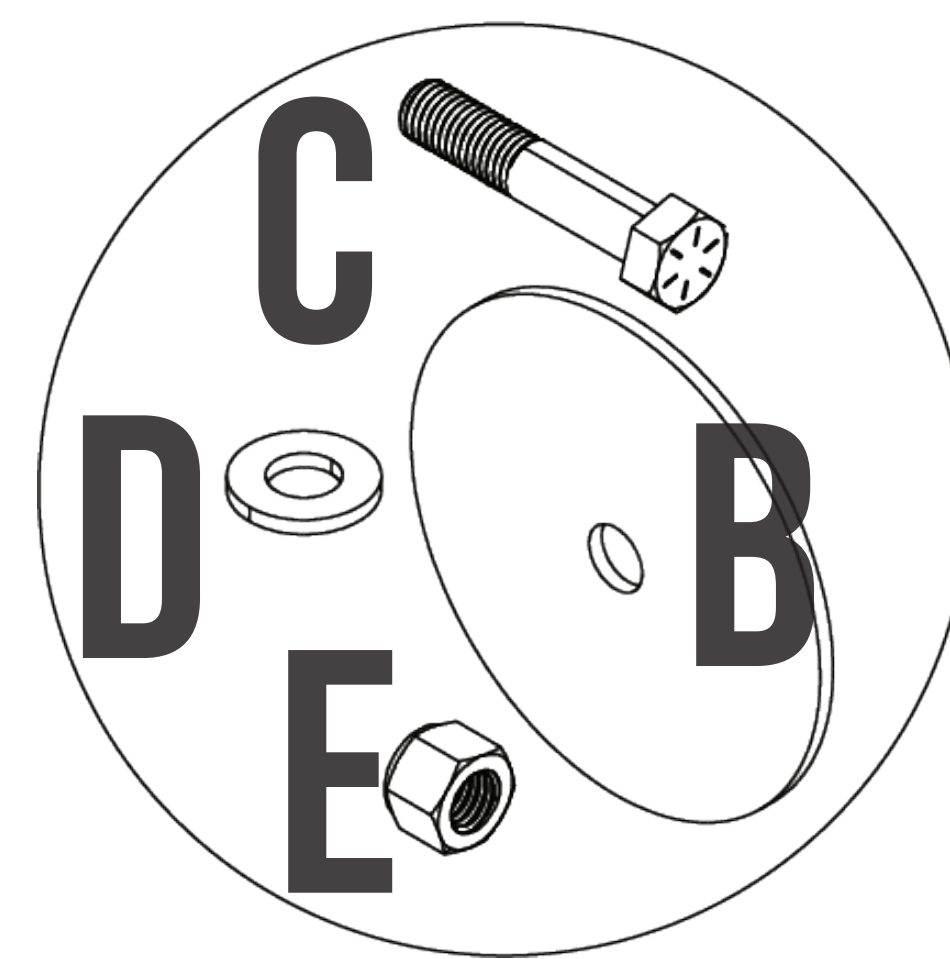
KAMADO CART ASSEMBLY



5 TURN THE CART ON ONE END WITH THE REAR WHEEL BRACKET (6) FACING UP. MOUNT THE TWO 8" WHEELS (1) WITH 5/8" WHEEL BOLTS (H) AND LOCKNUT (G) AND WHEEL WASHER (N).

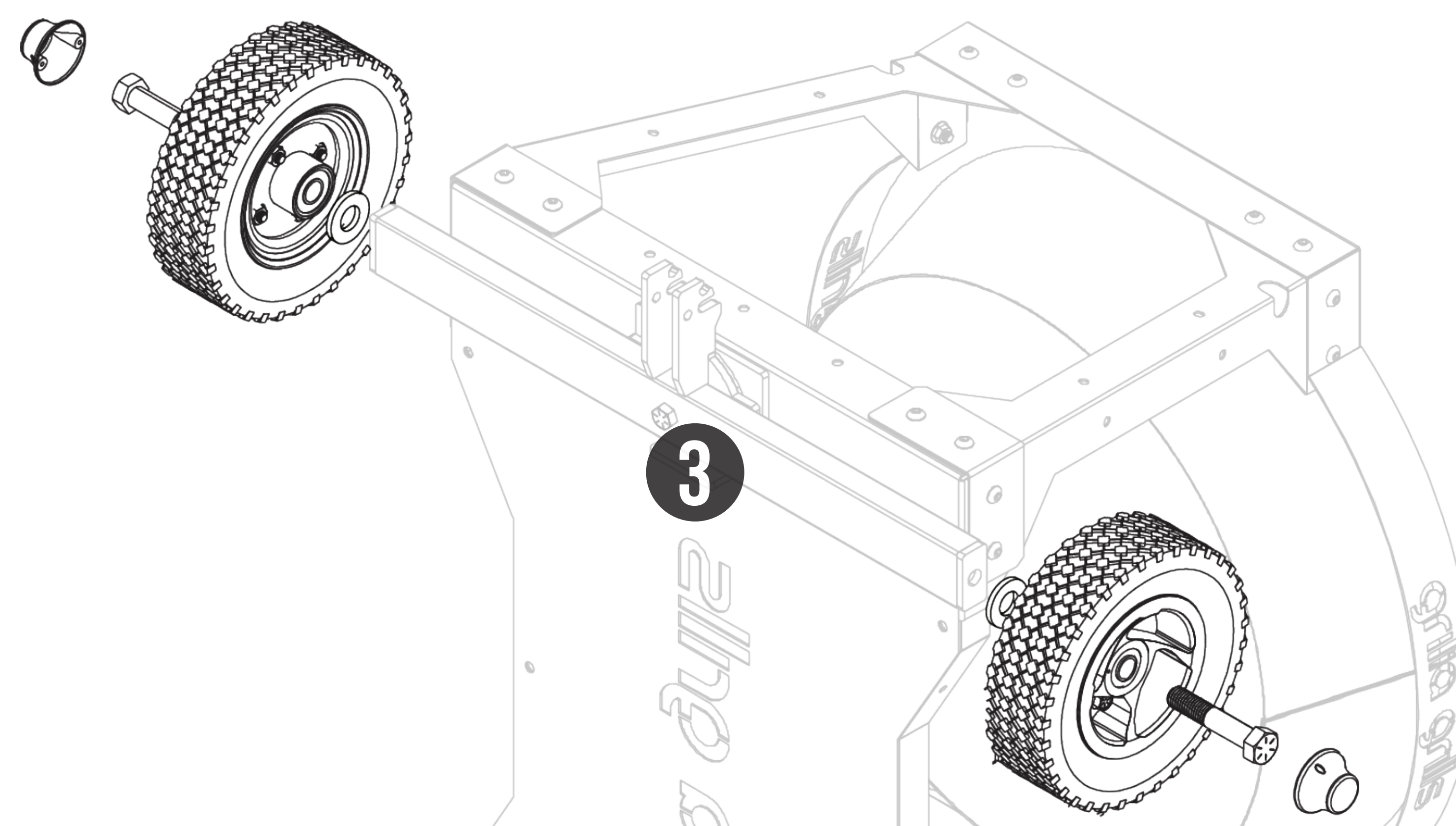


6 ON THE OPPOSITE END INSTALL THE STEERING ASSEMBLY (3) TO THE FRAME BASE (2). USE THE STEERING HARDWARE (B , C , D , E).

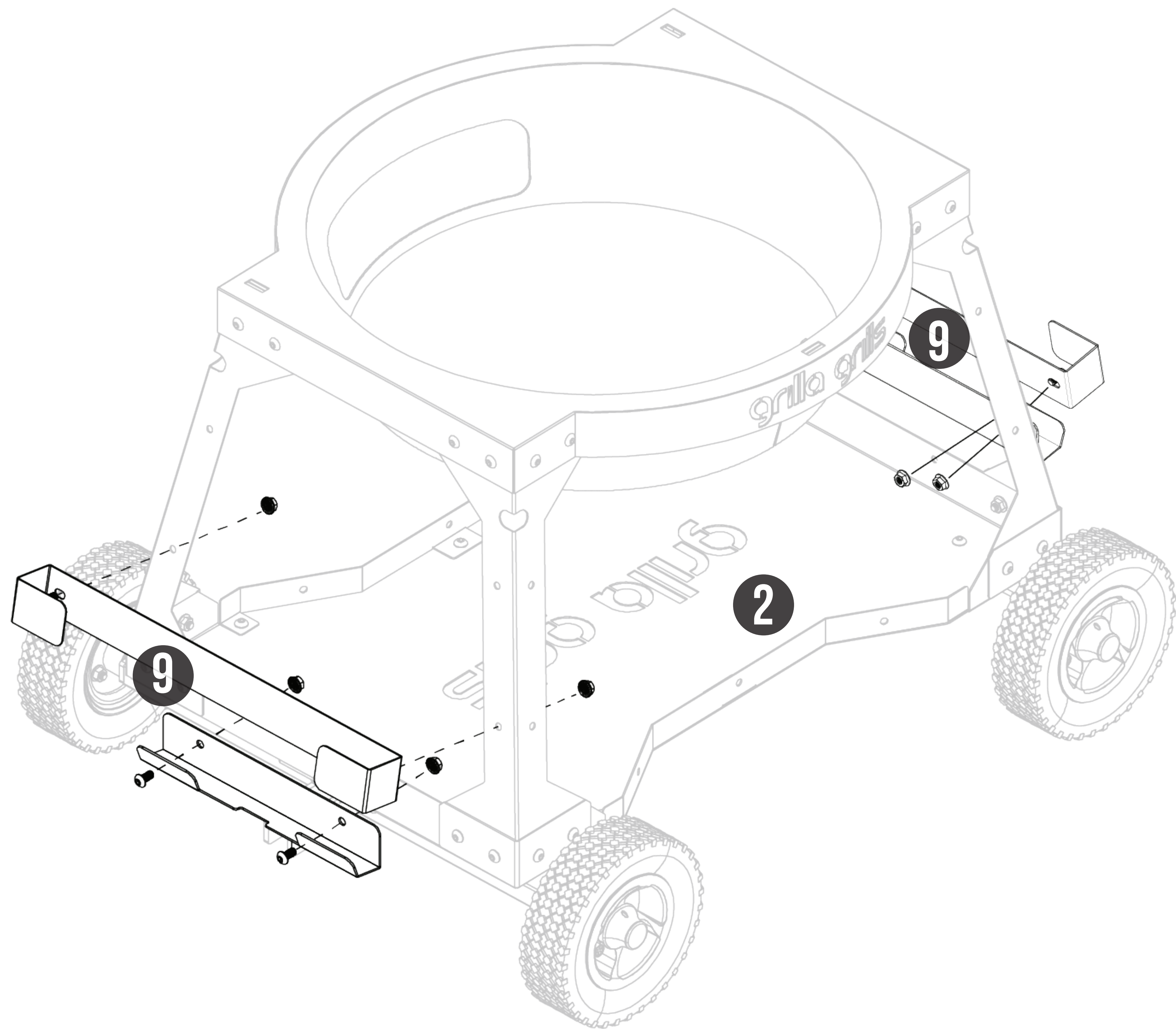


7 WITH THE STEERING ASSEMBLY (3) ON, MOUNT THE TWO REMAINING 8" WHEELS (1) WITH THE REMAINING 5/8" WHEEL BOLTS (H) THREAD ONTO STEERING ASSEMBLY (3). PLACING THE SUPPLIED WHEEL WASHERS (N) AFTER THE WHEEL.

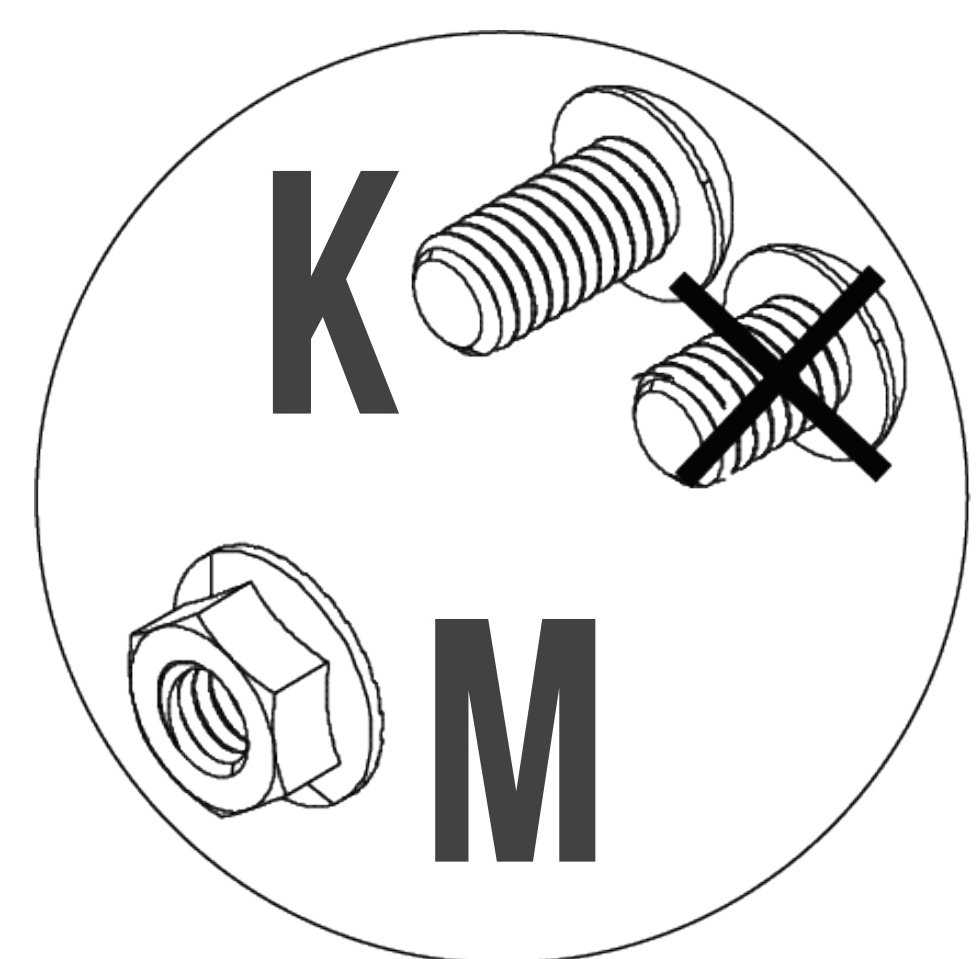
ONCE WHEELS ARE IN PLACE INSTALL WHEEL CAPS (O).



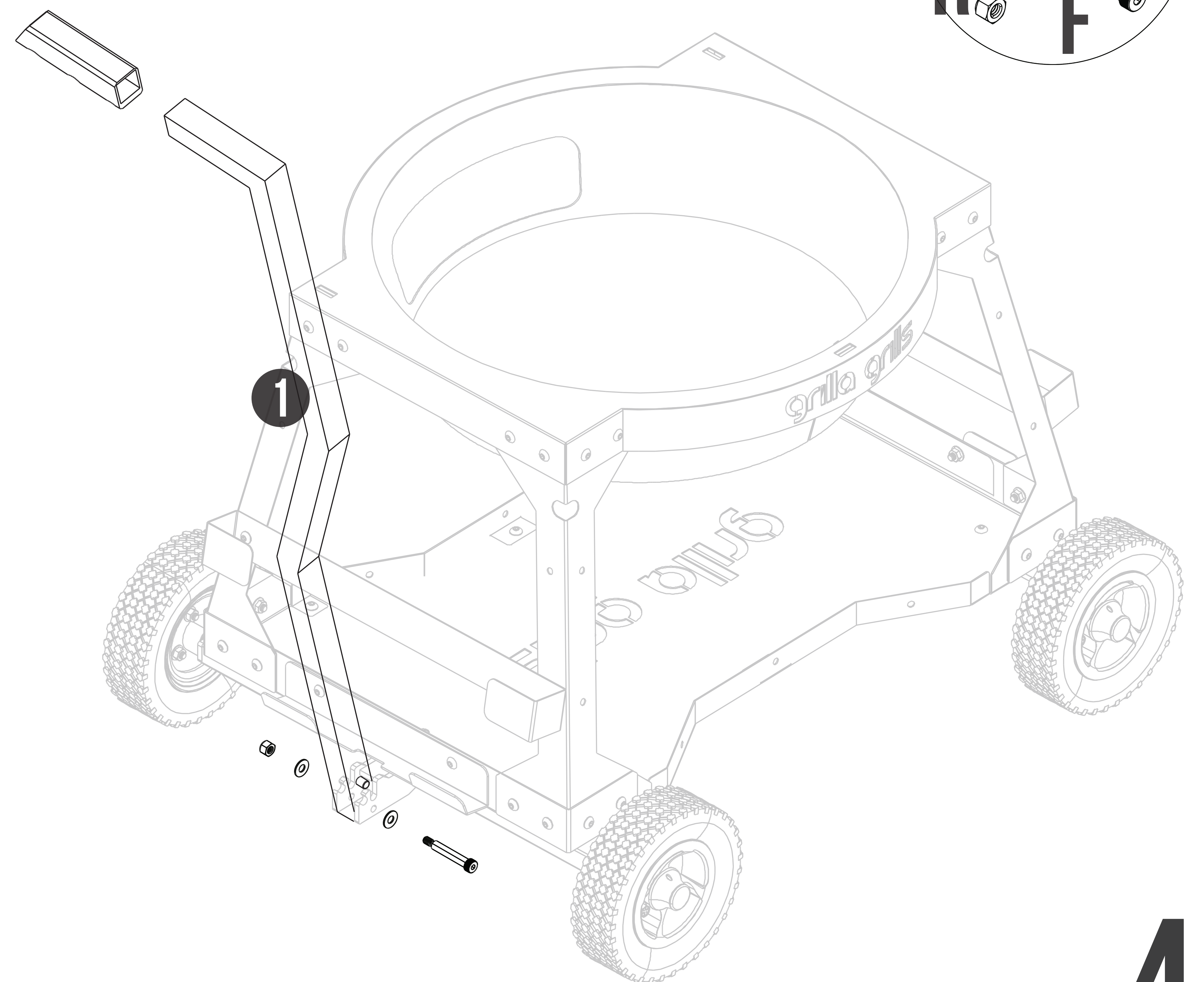
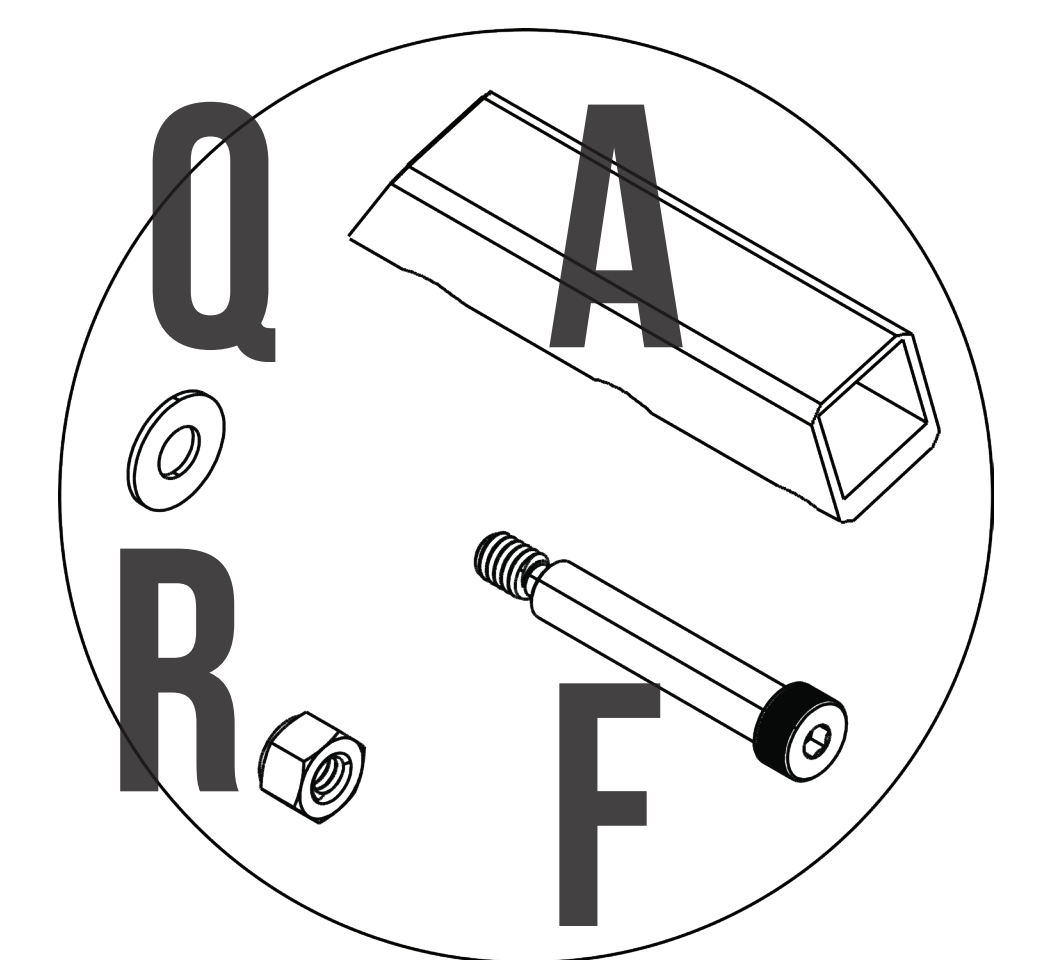
KAMADO CART ASSEMBLY



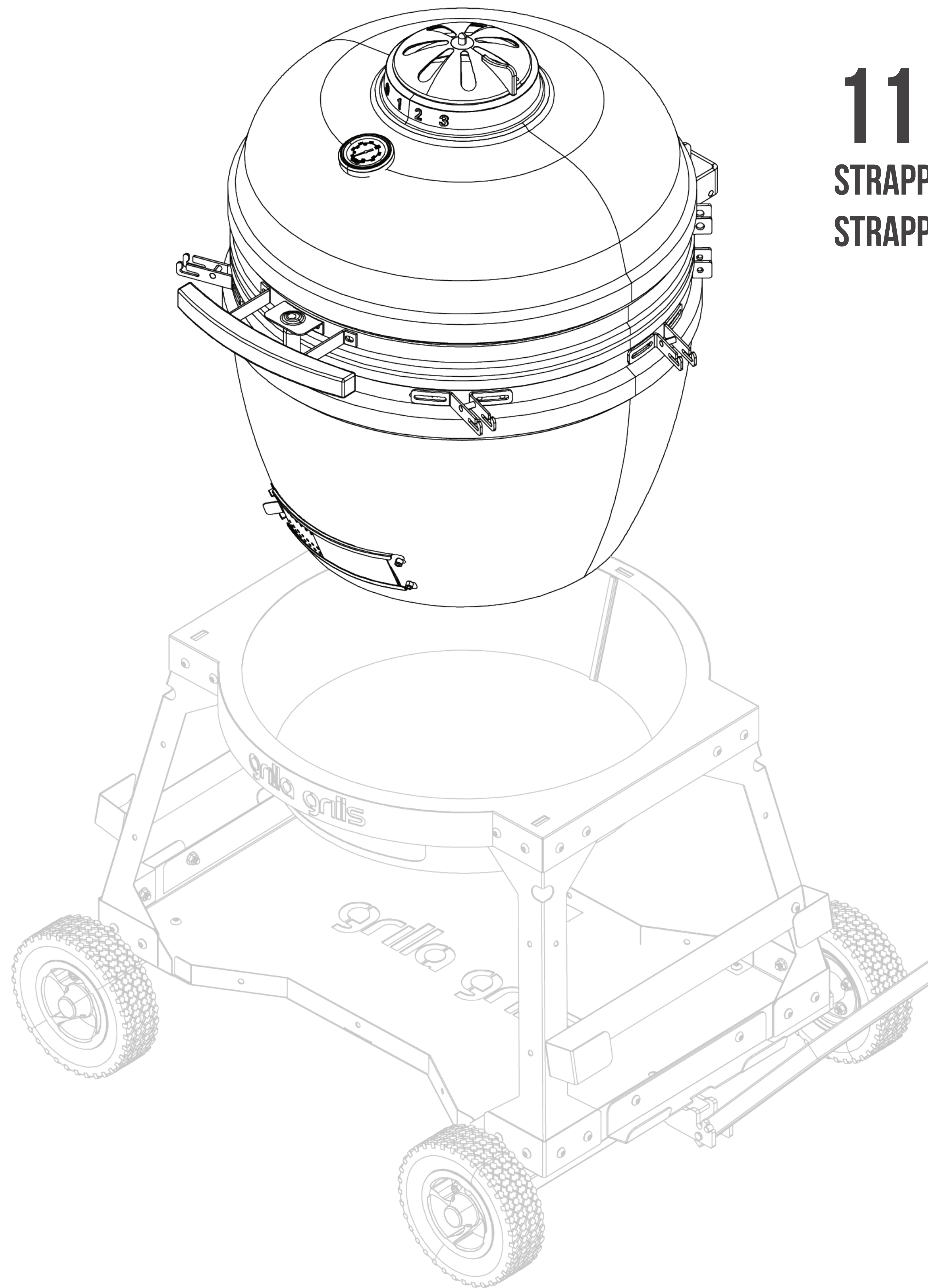
8 ATTACH THE UPPER/LOWER TRAY [9] RESTS TO THE CART LEGS [4] AND BASE [2].



9 ATTACH THE HANDLE GRIP (A) TO THE HANDLE (1) AND SECURE WITH THE HANDLE HARDWARE (F, Q AND R). MAKE SURE TO INSTALL THE HANDLE (1) IN THE UPRIGHT POSITION.

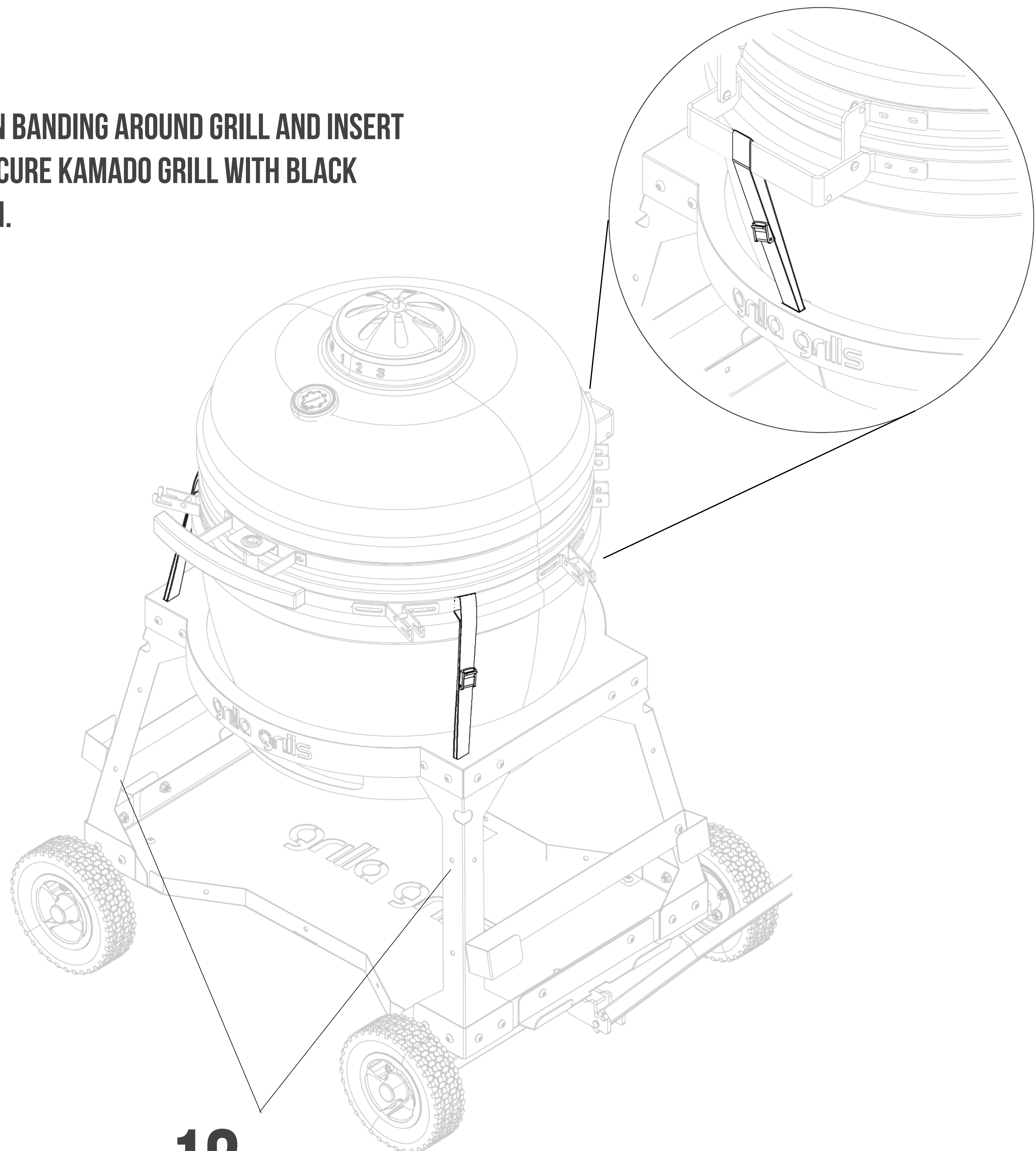


KAMADO CART ASSEMBLY



10 SET KAMADO GRILL IN CART TOP. POSITION ACCORDINGLY. ENSURE VENT HOLES ARE CLEAR FROM OBSTRUCTION.

11 LOOSEN BANDING AROUND GRILL AND INSERT STRAPPING. SECURE KAMADO GRILL WITH BLACK STRAPPING [P].



12 PUSH PLUGS [J] INTO OPEN HOLES AROUND CART